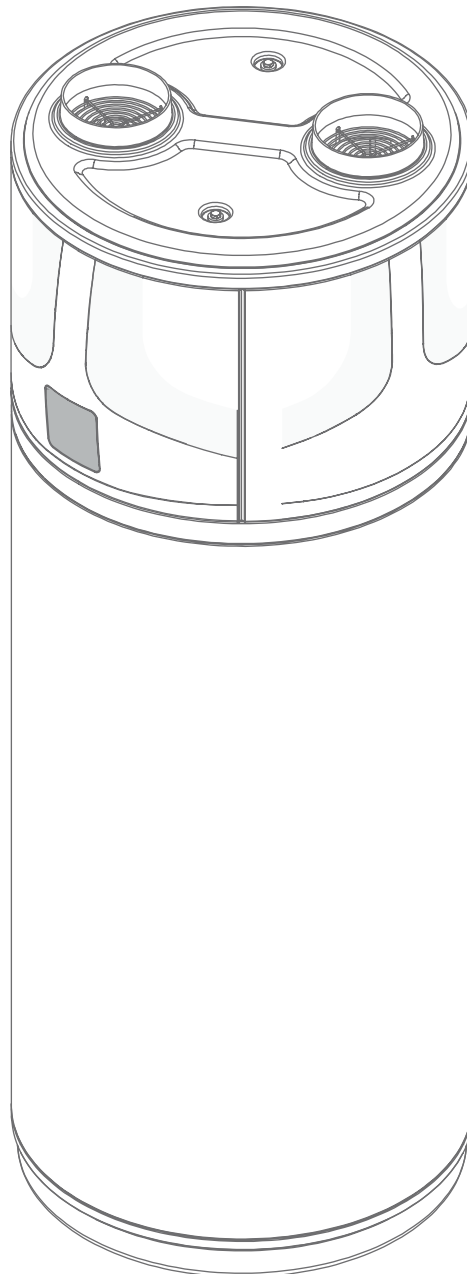




INSTALLATION AND MAINTENANCE MANUAL

APENDIX | PICTURES



HPWH 3.2 100I
HPWH 3.2 150I

OK !



fig.1

NOT OK !

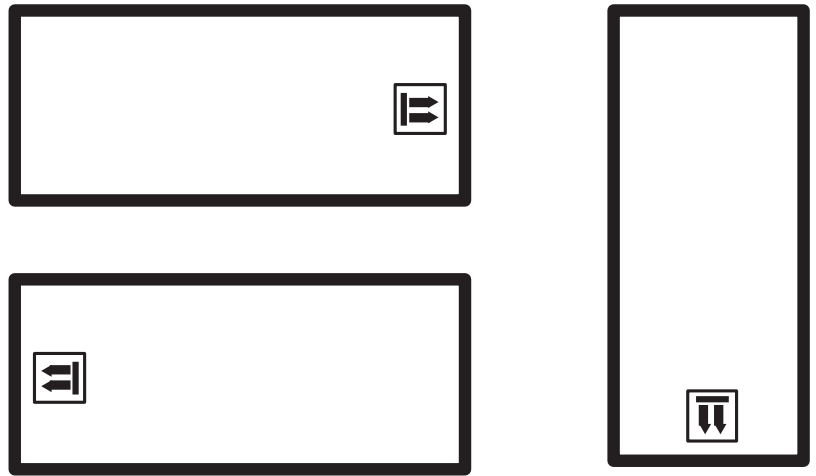


fig.2

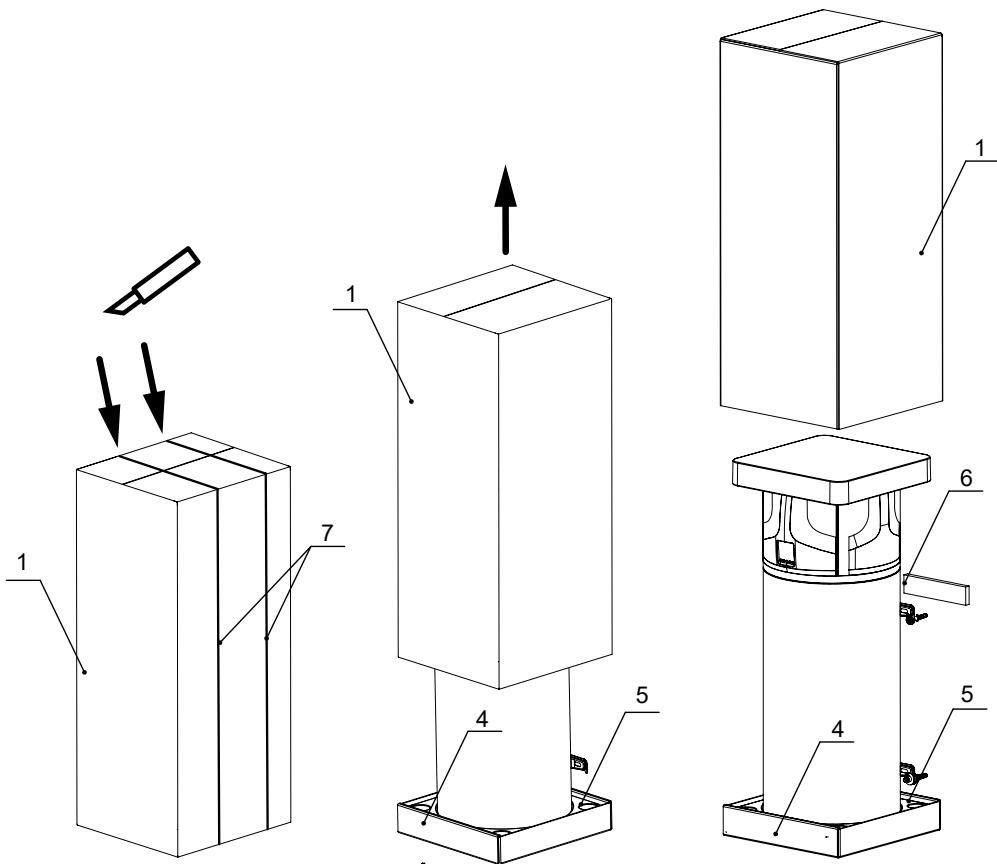


fig.3

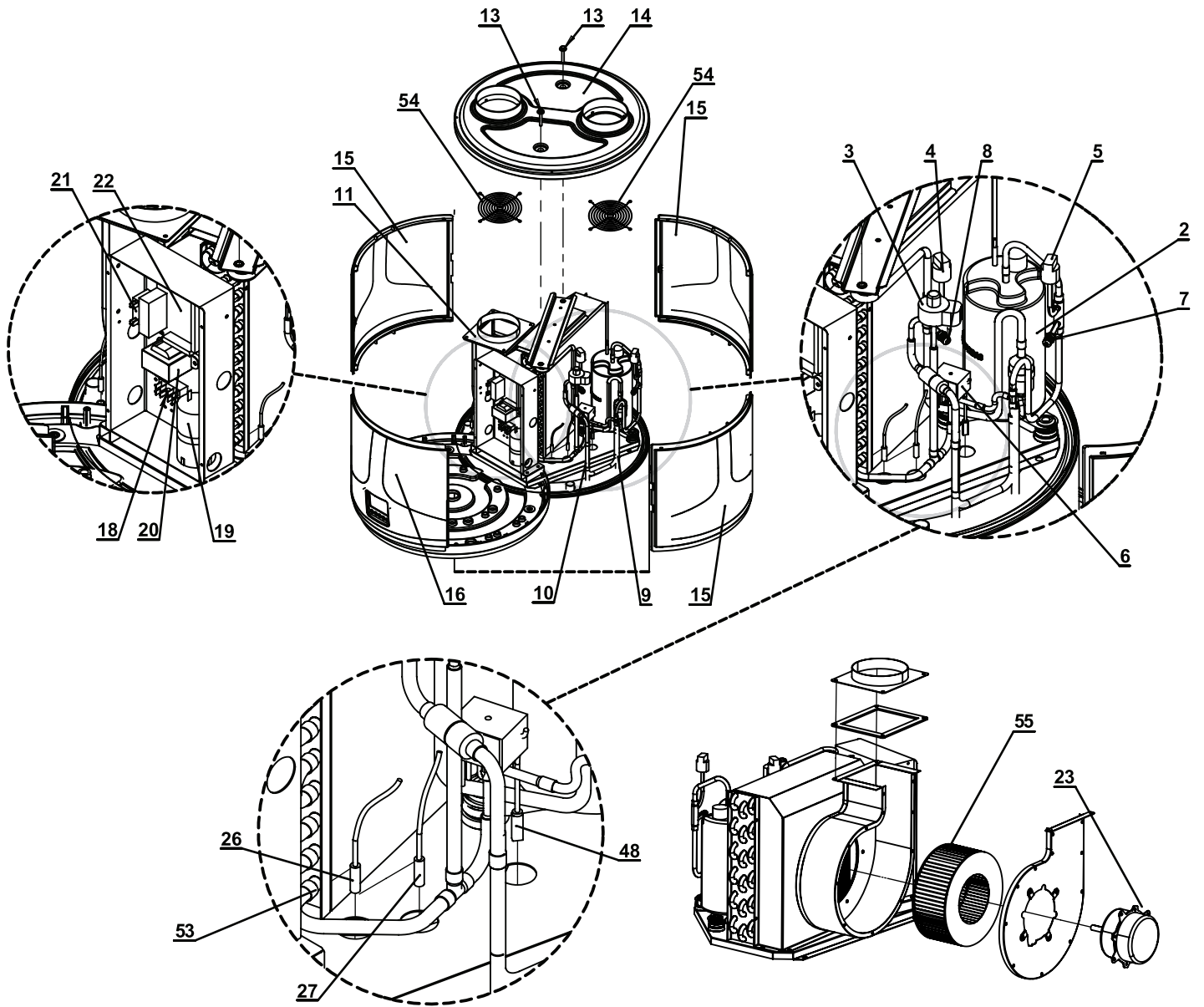


fig.8

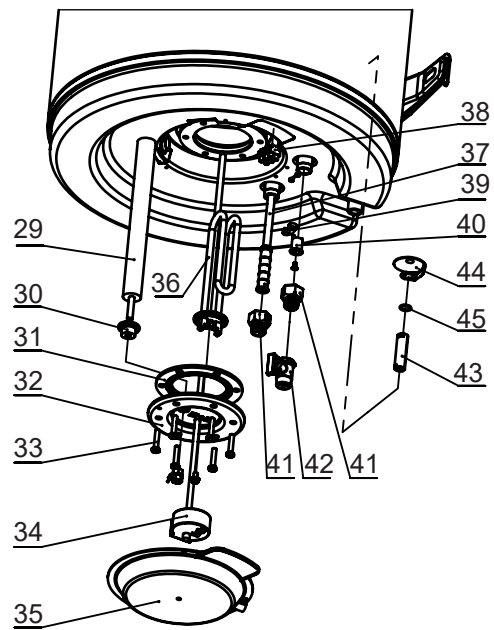
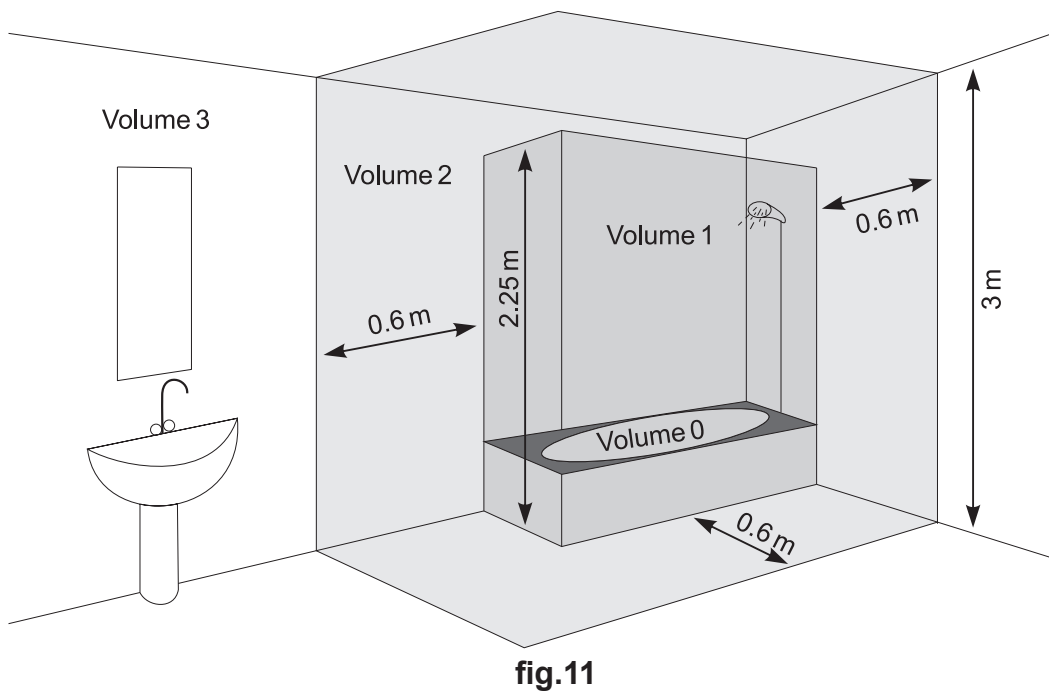
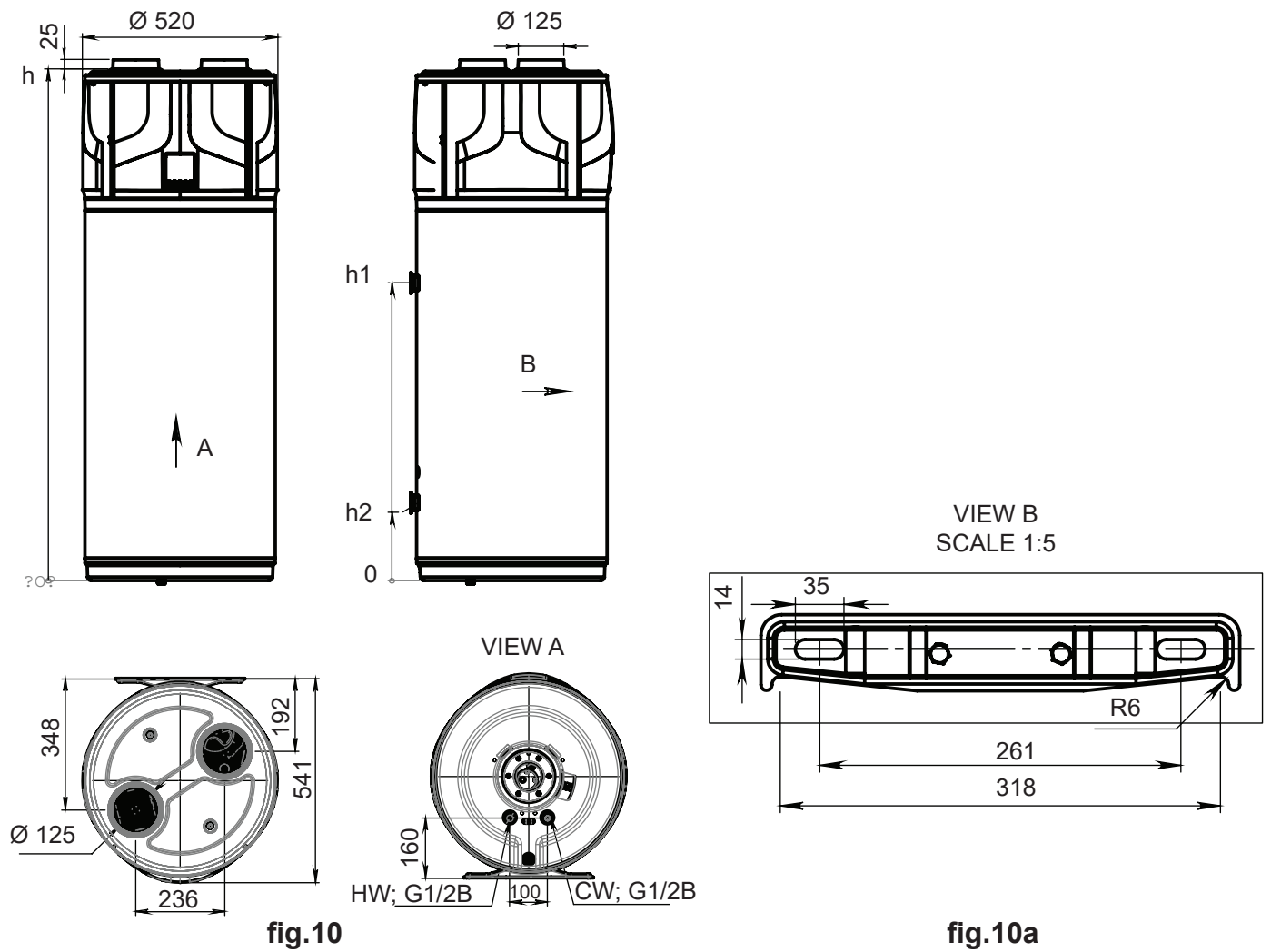


fig.9



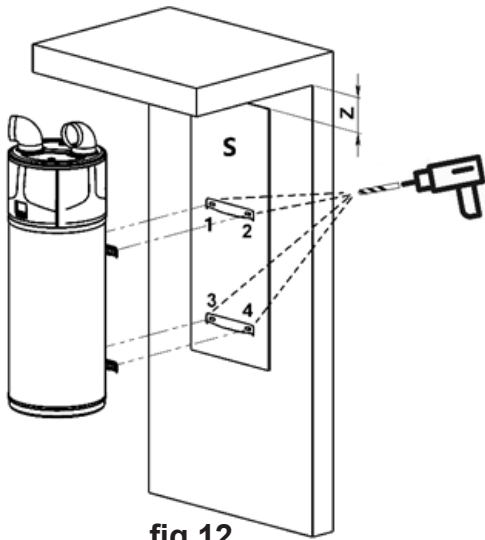


fig.12

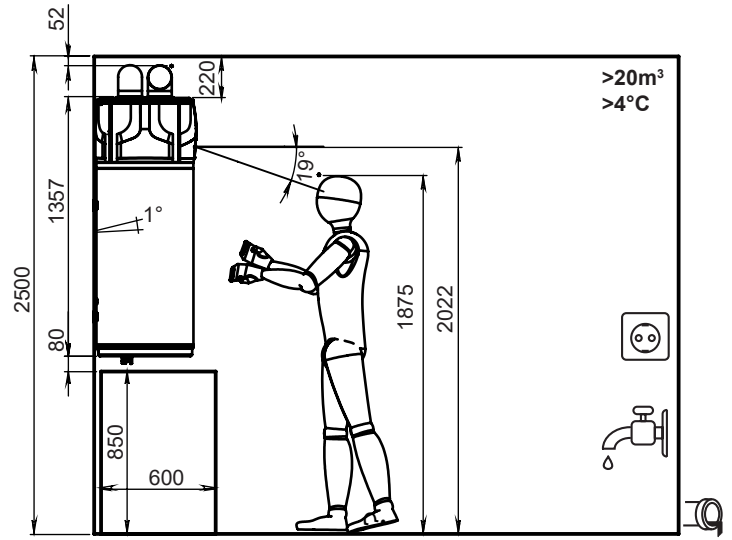


fig.12a

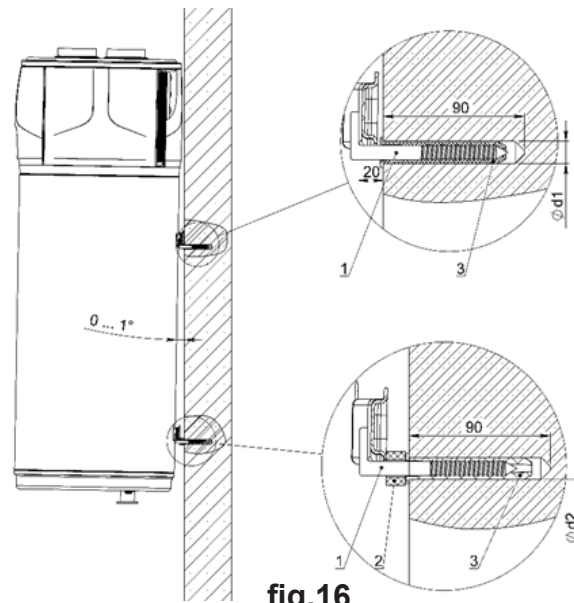


fig.16

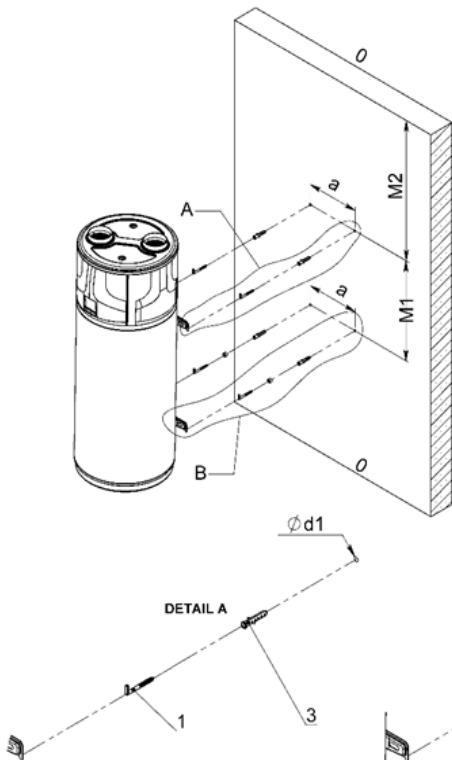


fig.16a

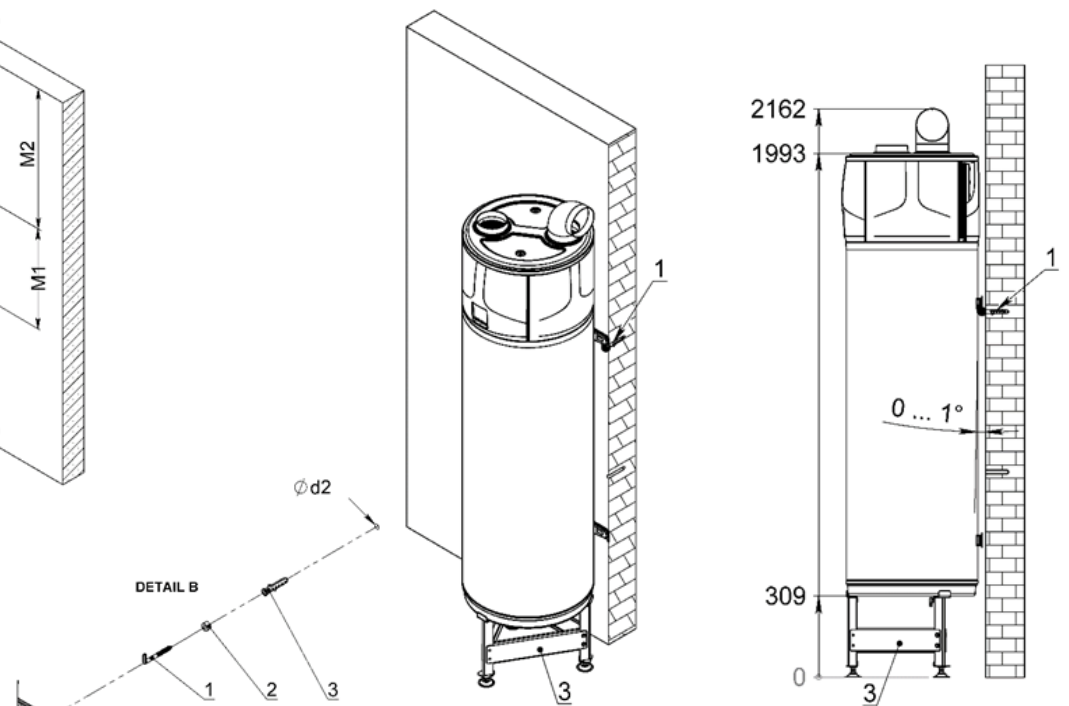
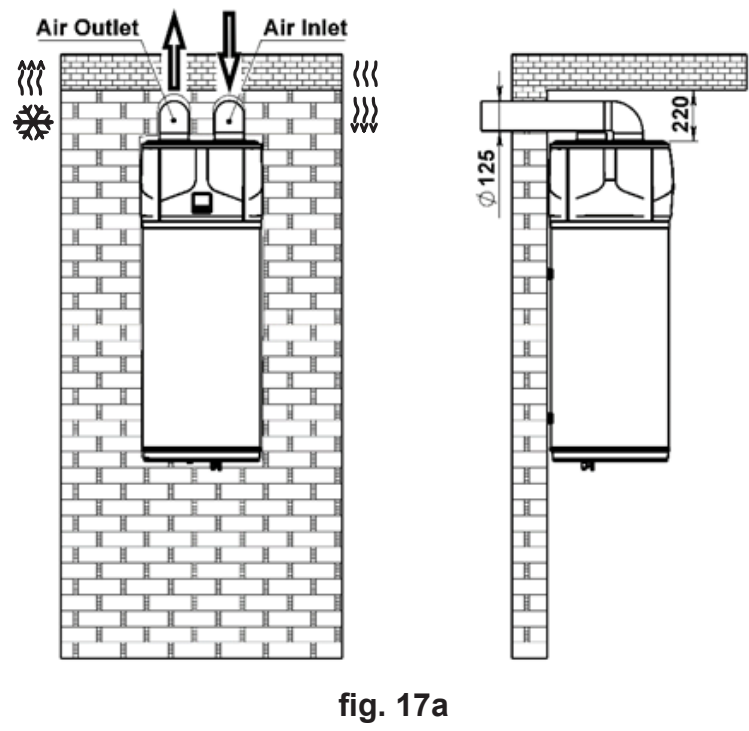
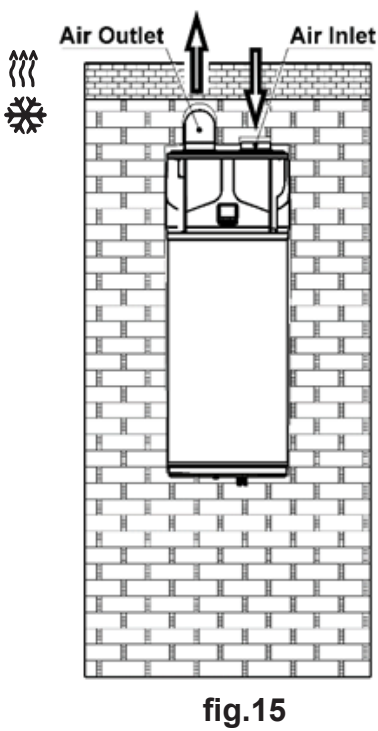
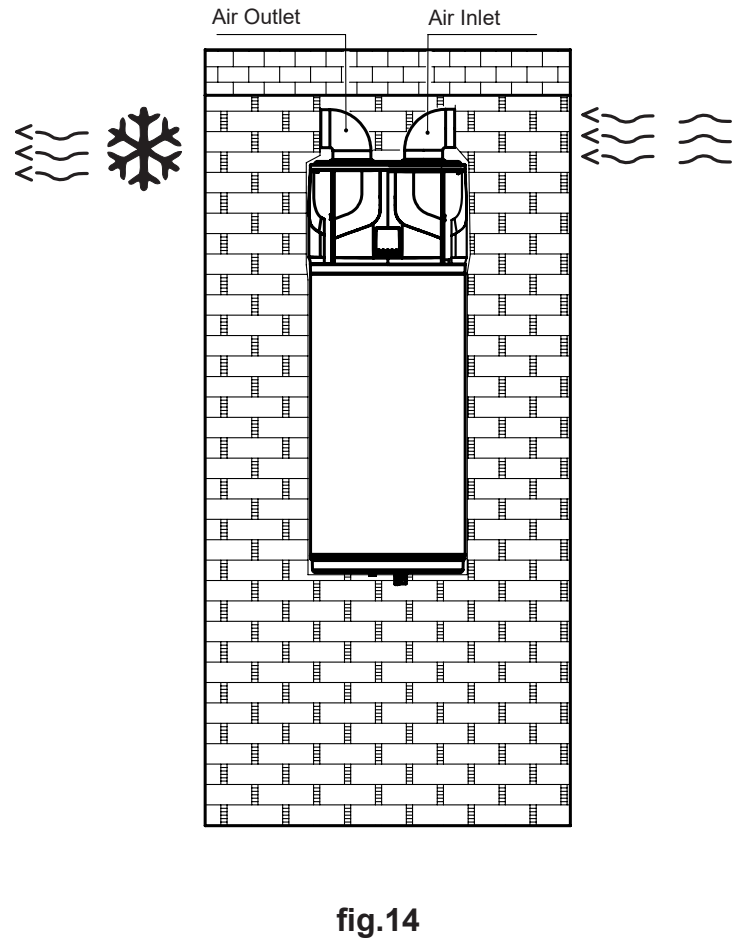
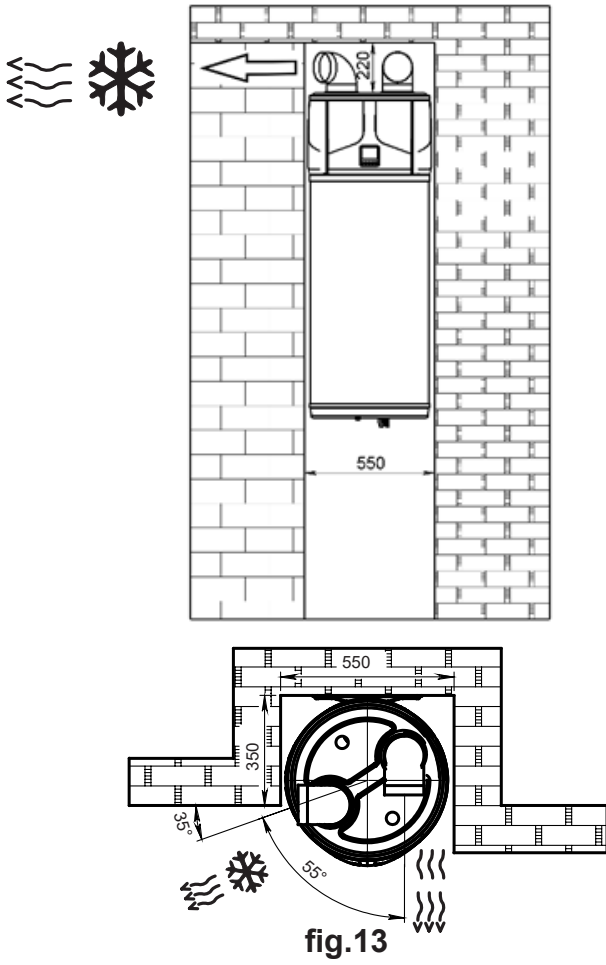


fig.16d



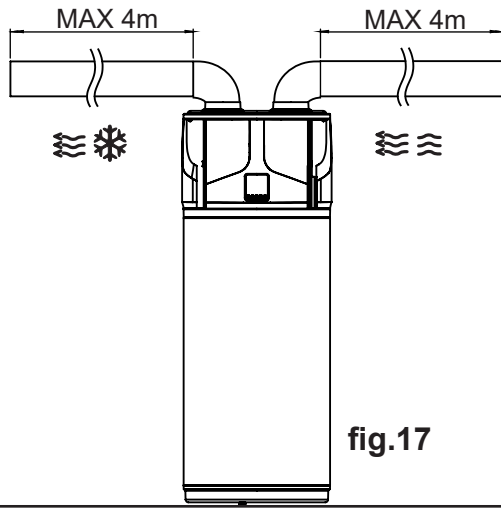


fig.17

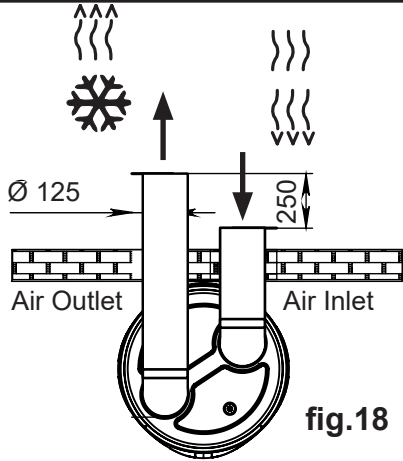


fig.18

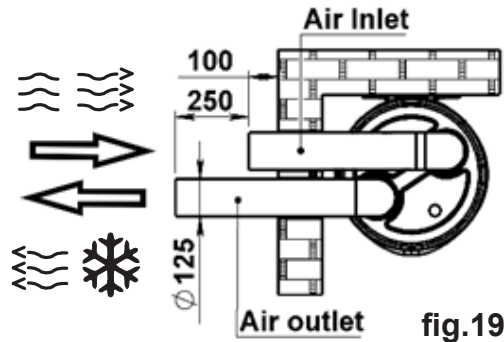


fig.19

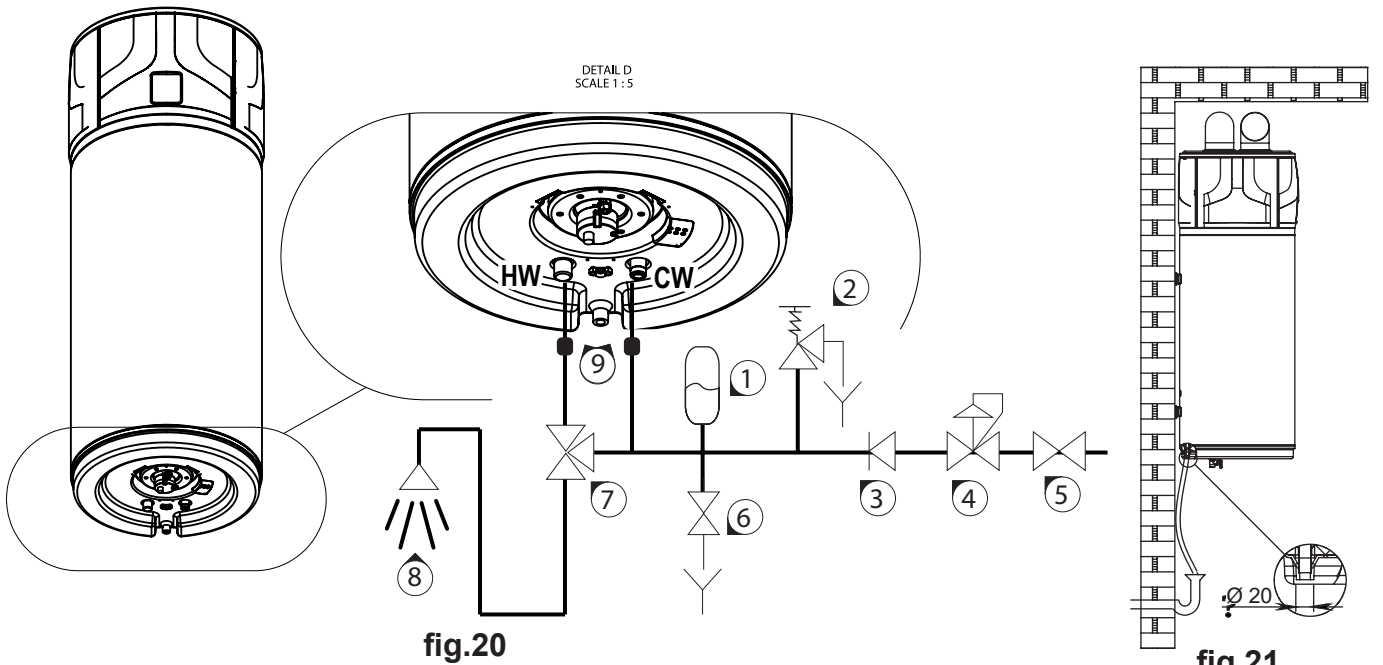


fig.20

fig.21

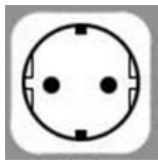


fig.22

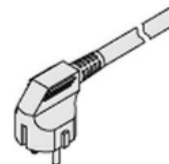


fig.22a

